

## FEATURES

- 9V or 12V operation with 3.0V RMS Capability
- Power-Up and Power-Down "POP" suppression
- Series Operation. Only 1 external component required
- ESD protected outputs
- 8-Lead SOIC and DFN-8 packages

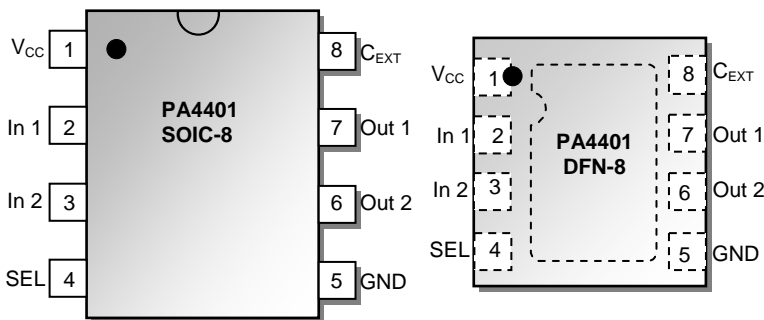
- Ron (On resistance): 0.8 ohms\*
- Ron Flatness: 0.4 ohms\*
- Total Harmonic Distortion: <1%\*
- Current drain: <5mA\*
- Load: 600 ohms

\* Subject to change

## APPLICATIONS

- DVD players
- Set-top boxes
- High End Audio Car Audio
- Home Theater systems
- LCD TVs
- Digital Video Recorders

## Pin Layout and Description



Pin	Symbol	Designation
1	VCC	Voltage
2	In1	Audio Input 1
3	In2	Audio Input 2
4	SEL	Select 12 or 9Volt Operation
5	GND	Ground
6	Out2	Audio Output 2
7	Out1	Audio Output 1
8	CEXT	External Capacitor

## GENERAL DESCRIPTION

On most Audio systems a "Pop or click" is heard when switching on and off. This annoyance can be prevented by use of the PA4401 in the design of an Audio Amplifier. The PA4401 is placed between the codec and the output coupling capacitor.

The click-pop noise is generated at the DC coupling capacitors while the system is starting up as well as shutting down.

The PA4401 controls the ramping of the DC voltage into the coupling capacitors thus "eliminating" the click-pop noise generated during the startup and shutdown. The start time can be controlled or changed using an external capacitor.

ESD protection circuits are provided at the inputs and outputs of the device.

The PA4401 consumes less than 5mA of current and provides a THD of less than 1% for a load of 600 ohms.

The PA4401 is available in an 8L-SOIC and DFN-8 Package

Contact [sales@protekdevices.com](mailto:sales@protekdevices.com) for any additional information.

## FUNCTIONAL DIAGRAM

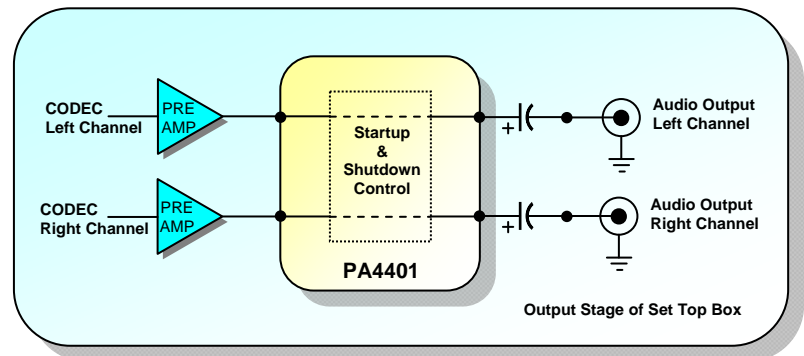


Figure 1: Functional block diagram of PA4401

## Ordering Information

Temperature Range	Package	Part Number
-40 to 85 °C	SOIC-8	PA4401DQ-T7
	DFN-8	PA4401DN-T7